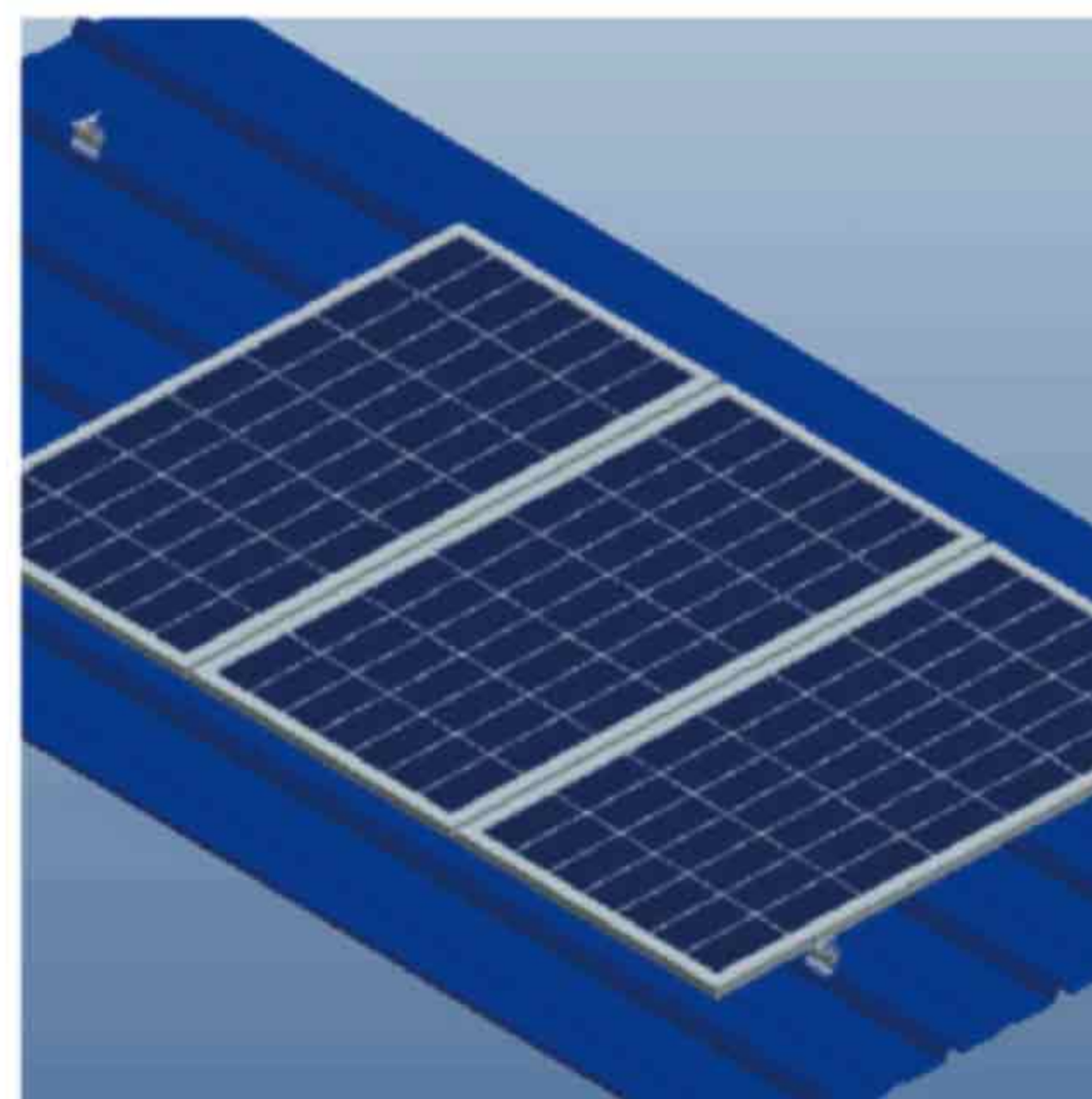
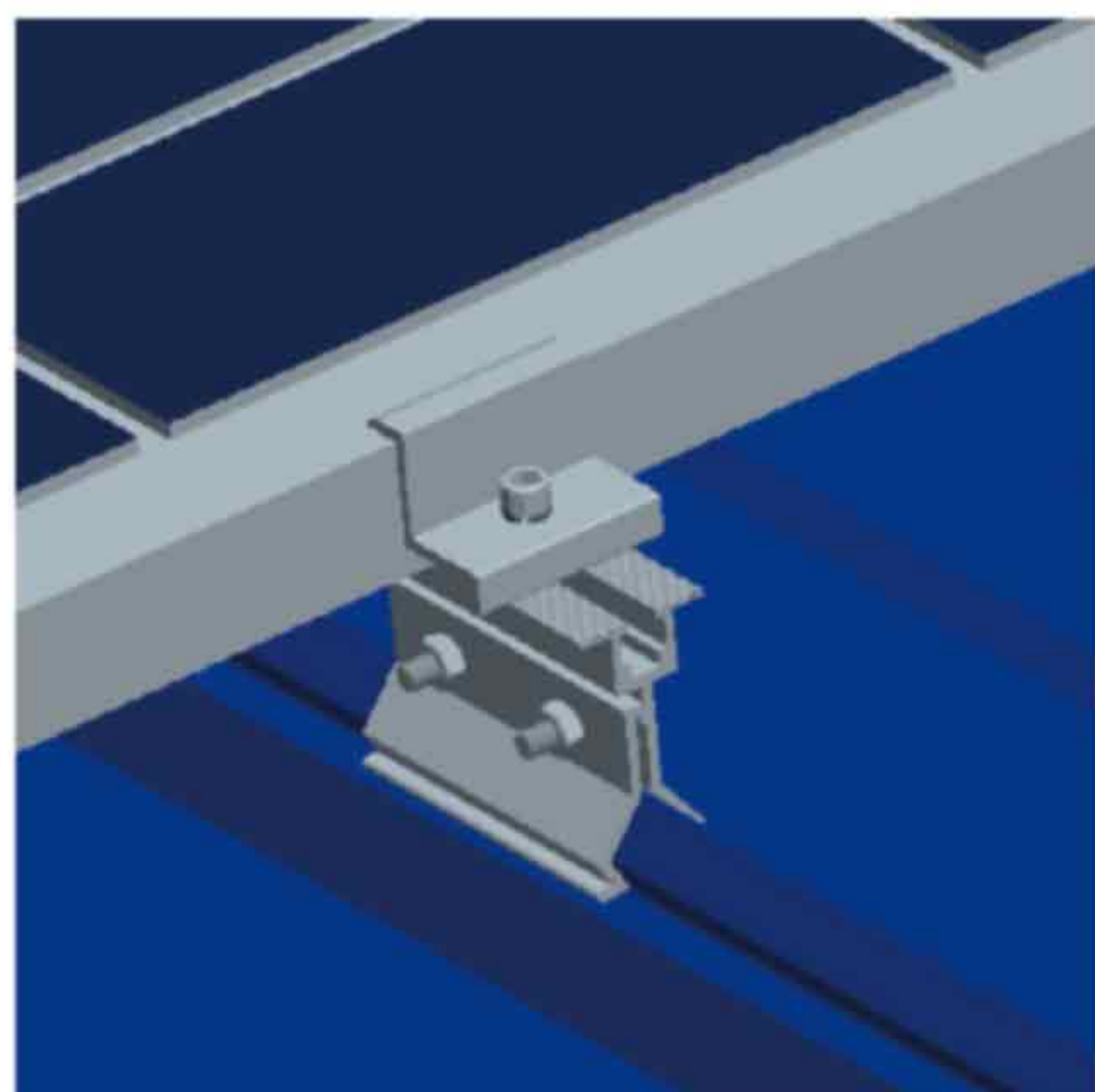


# JS-R-04 METAL ROOF STANDING SEAM PV RACKING SYSTEM

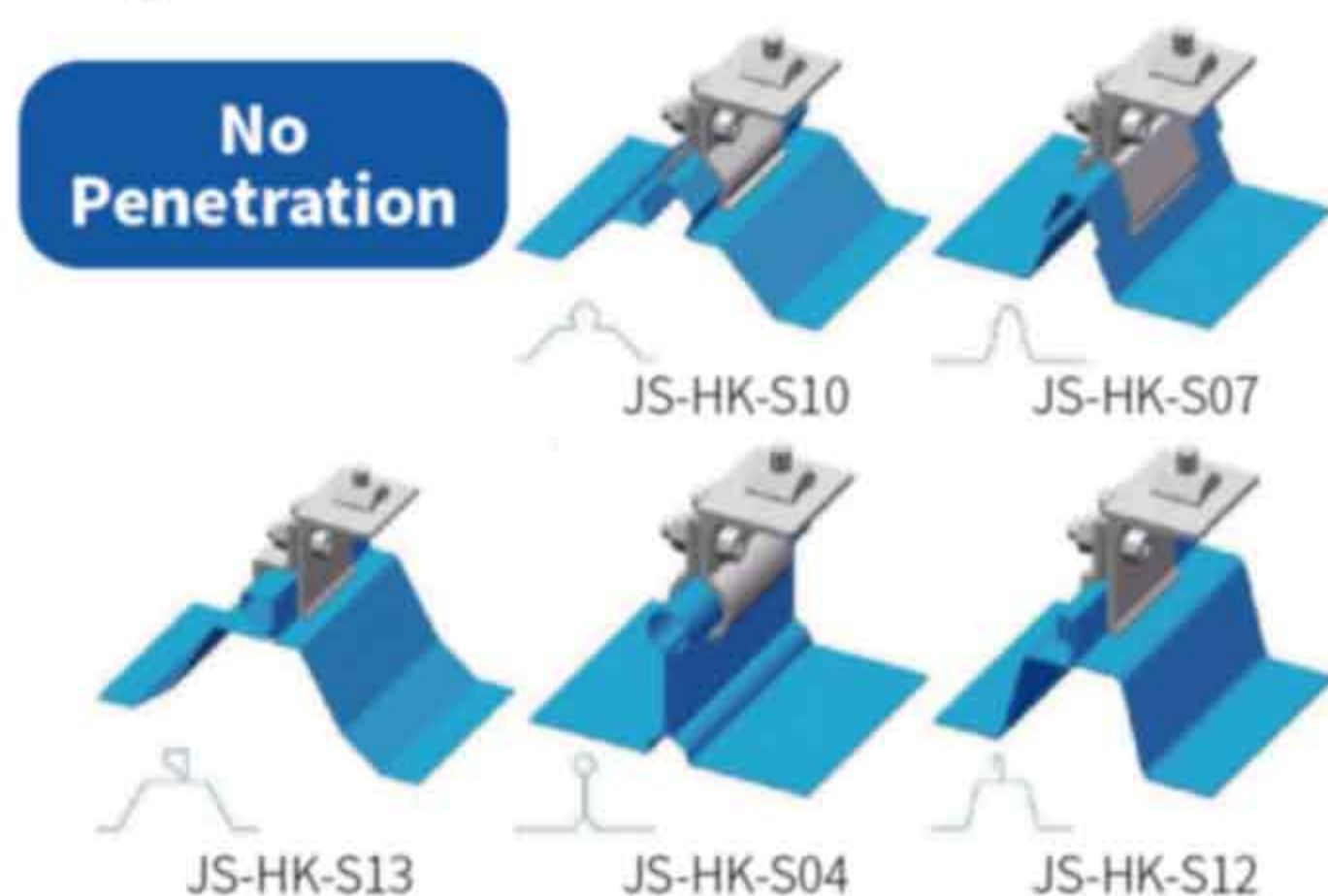
Metal roof standing seam PV racking system is made of aluminum alloy, and is applicable for metal roofs. To meet your installation requirements, we have a variety of standing seam type clamps to choose from, in order to perfectly connect to different metal roof types.



## Components

JS-HK-01	JS-EC	JS-IC	JS-CR3
Standing Seam Roof Hook	End Clamp Kit	Mid Clamp Kit	Rail

## Optional Standing Seam Roof Clamp



## Project Case



TECHNICAL PARAMETERS	
System Name	Metal Roof Standing Seam PV Racking System
Installation Site	Pitched Roof
Tilt Angle	0-15degree
Max Wind Speed	60M/S
Max Snow Load	1.6KN/m <sup>2</sup>
Applicable Solar Module	Framed or Frameless
Panel Layout	Landscape or Portrait
Material	AL6005-T5 High Class Anodized Aluminium
Fastener	High Strength Stainless Steel 304
Design Standard	AS/NZS 1170, ASCE 7-10, JIS2017
Warranty	Ten Years Warranty
Duration	More than 25 years